



PU-HBT-EX

100m HDBaseT™ Repeater

OPERATION MANUAL



SAFETY PRECAUTIONS

Please read all instructions before attempting to unpack, install or operate this equipment and before connecting the power supply.

Please keep the following in mind as you unpack and install this equipment:

- Always follow basic safety precautions to reduce the risk of fire, electrical shock and injury to persons.
- To prevent fire or shock hazard, do not expose the unit to rain, moisture or install this product near water.
- Never spill liquid of any kind on or into this product.
- Never push an object of any kind into this product through any openings or empty slots in the unit, as you may damage parts inside the unit.
- Do not attach the power supply cabling to building surfaces.
- Use only the supplied power supply unit (PSU). Do not use the PSU if it is damaged.
- Do not allow anything to rest on the power cabling or allow any weight to be placed upon it or any person walk on it.
- To protect the unit from overheating, do not block any vents or openings in the unit housing that provide ventilation and allow for sufficient space for air to circulate around the unit.

REVISION HISTORY

VERSION NO.	DATE DD/MM/YY	SUMMARY OF CHANGE
RDV1	07/26/12	Preliminary Release

CONTENTS

1. Introduction.....	1
2. Applications.....	1
3. Package Contents	1
4. System Requirements.....	1
5. Features	1
6. Operation Controls and Functions.....	2
6.1 Front Panel	2
6.2 Rear Panel.....	3
7. Connection and Installation.....	4
8. Specifications	5
9. Acronyms	6

1. INTRODUCTION

The HDBaseT Repeater is an economical and stable device for extending and cascade your HDBaseT signal. Supporting the highest quality of uncompressed high-definition HD video of 4Kx2K, uncompressed multi-channels audio up to 8CH , bi-directional control systems, PoE and Ethernet a complete functions of HDBaseT' 5 Play with just a simple connection over single CAT5e/6/7.

2. APPLICATIONS

- HDBaseT signal extension up to 200m
- Cascading HDBaseT signal

3. PACKAGE CONTENTS

- HDBaseT Repeater
- Power Adaptor
- Operation Manual

4. SYSTEM REQUIREMENTS

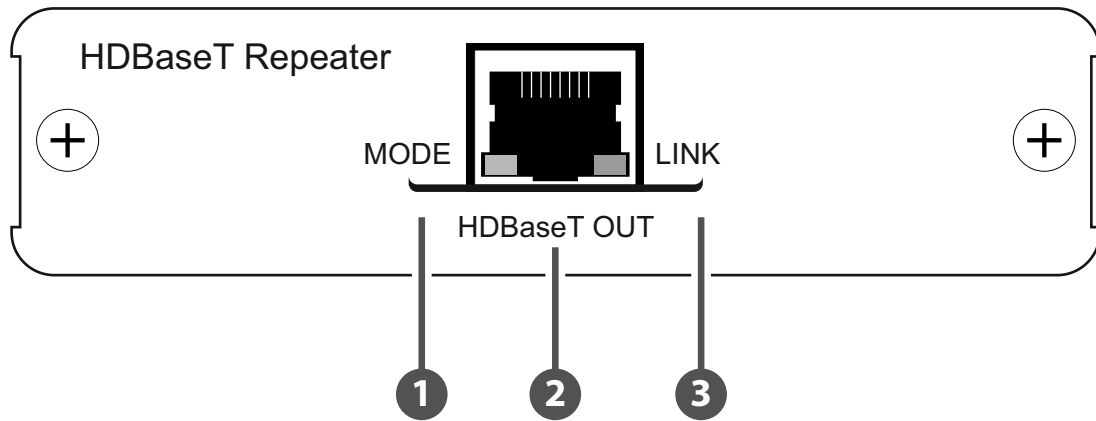
Input HDBaseT transmitter and output HDBaseT receiver with CAT5e/6/7 connection cables.

5. FEATURES

- HDMI 1.4 with 3D, 4kx2k support, HDCP & DVI Compliant
- Supports CEC bypass
- Transmission of uncompressed data up to 200m/656ft with single device
- Uncompressed video 1080p, 60Hz, 36-bit
- Audio support up to 7.1CH & Dolby TrueHD, DTS-HD
- 5Play™ convergence: HDMI, LAN, PoE & Control (IR & RS-232)
- Can be powered by transmitter without power supply connection
- Installation Friendly

6. OPERATION CONTROLS AND FUNCTIONS

6.1 Front Panel



1 MODE LED

The yellow LED will be flashing once the power is connected or when an active transmitter is connected.

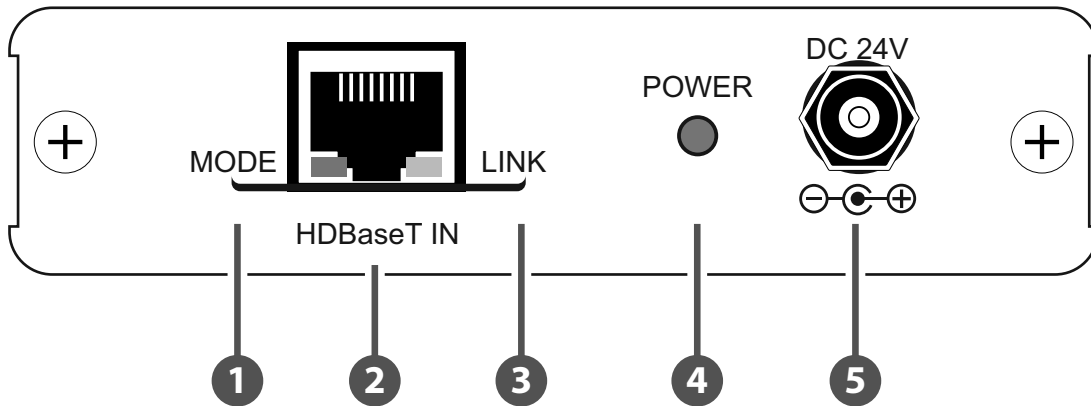
2 HDBaseT OUT

Connect to the receiver unit with a single CAT5e/6/7 cable up to 100m for signals receiving.

3 LINK LED

This green LED will illuminate when output is connected with active receiver. When the signal has got lost or problem the LED will be flashing.

6.2 Rear Panel



1 MODE LED

The yellow LED will be flashing once the power is connected or when connected with active transmitter.

2 HDBaseT IN

Connect to the transmitter unit with a single CAT5e/6/7 cable up to 100m/328ft for signals transmission.

3 LINK LED

This green LED will illuminate when the device is connected with active transmitter.

4 POWER

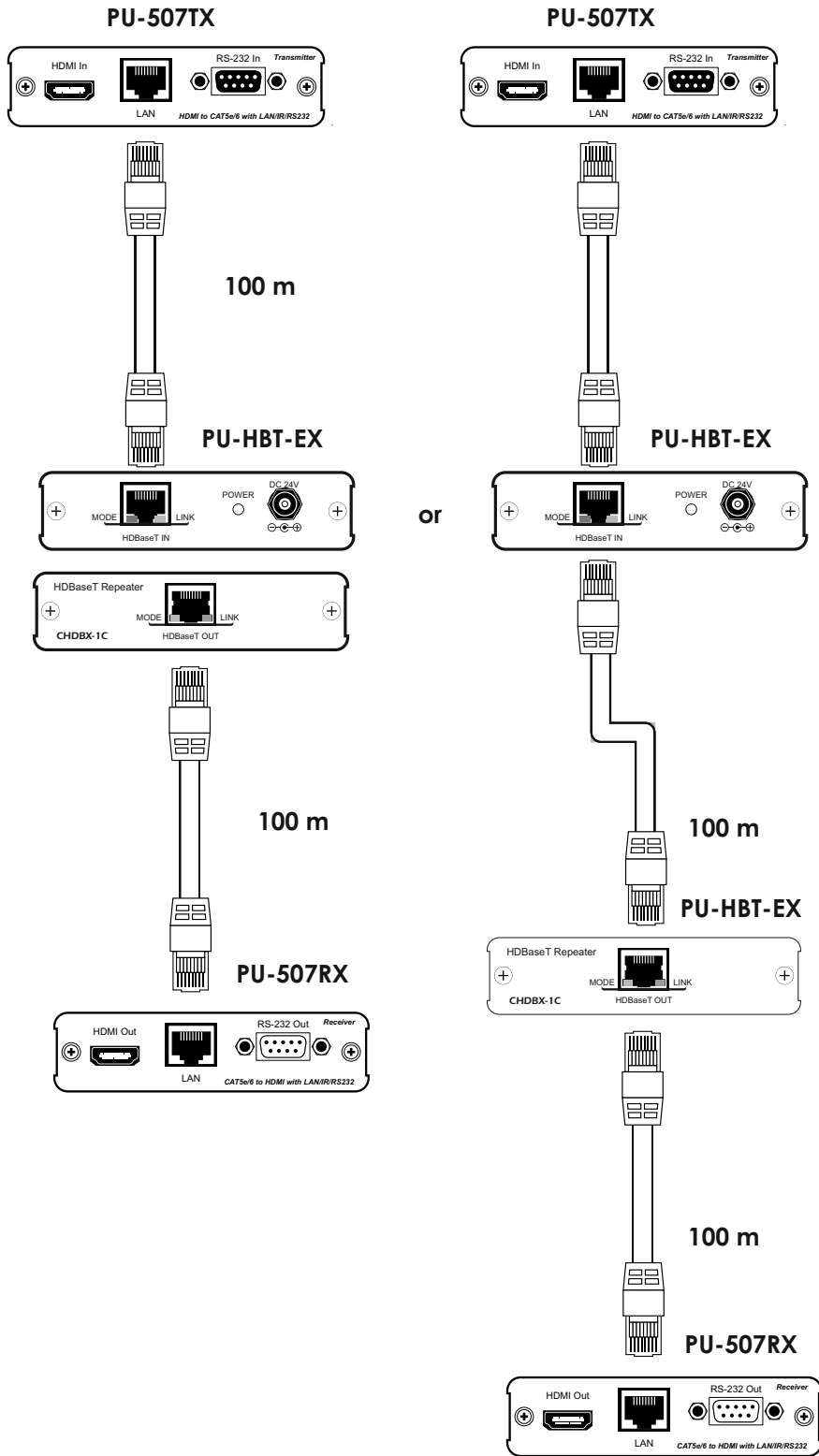
This blue LED will illuminate when the device is connected with power supply or with an active transmitter.

5 DC 24V

Plug the 24V DC power adaptor included in the package into the unit and connect it to an AC outlet.

Note: This device can be triggered without power supply when an active transmitter with PoE function is connected with input port however, for multiple cascading it is suggested to connect with power supply.

7. CONNECTION AND INSTALLATION



8. SPECIFICATIONS

Video Bandwidth	300MHz/10.2Gbps
Input Ports	1 x RJ-45
Output Ports	1 x RJ-45
Support Resolution	480i~1080p@50/60, 1080p@24
CAT6 In/Out Support	Up to 100/100 Meters
Power	24V/1.25A DC (US/EU Standards, CE/FCC/ UL certified)
Dimensions (mm)	102(W) x 154(D) x 25(H)
Weight(g)	324
Chassis Material	Metal
SilkSreen Color	Silver
Operating Temperature	0°C ~ 40°C/32°C~104°C
Storage Temperature	-20°C ~ 60°C / -4°F ~ 140°F
Relative Humidity	20~90% RH (non-condensing)
Power Consumption	9W/without power supply to Receiver 16.2W/with power supply to Receiver



www.cypeurope.com

