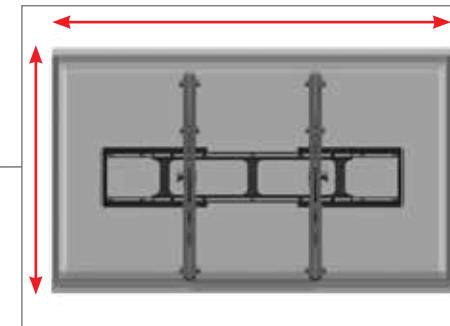
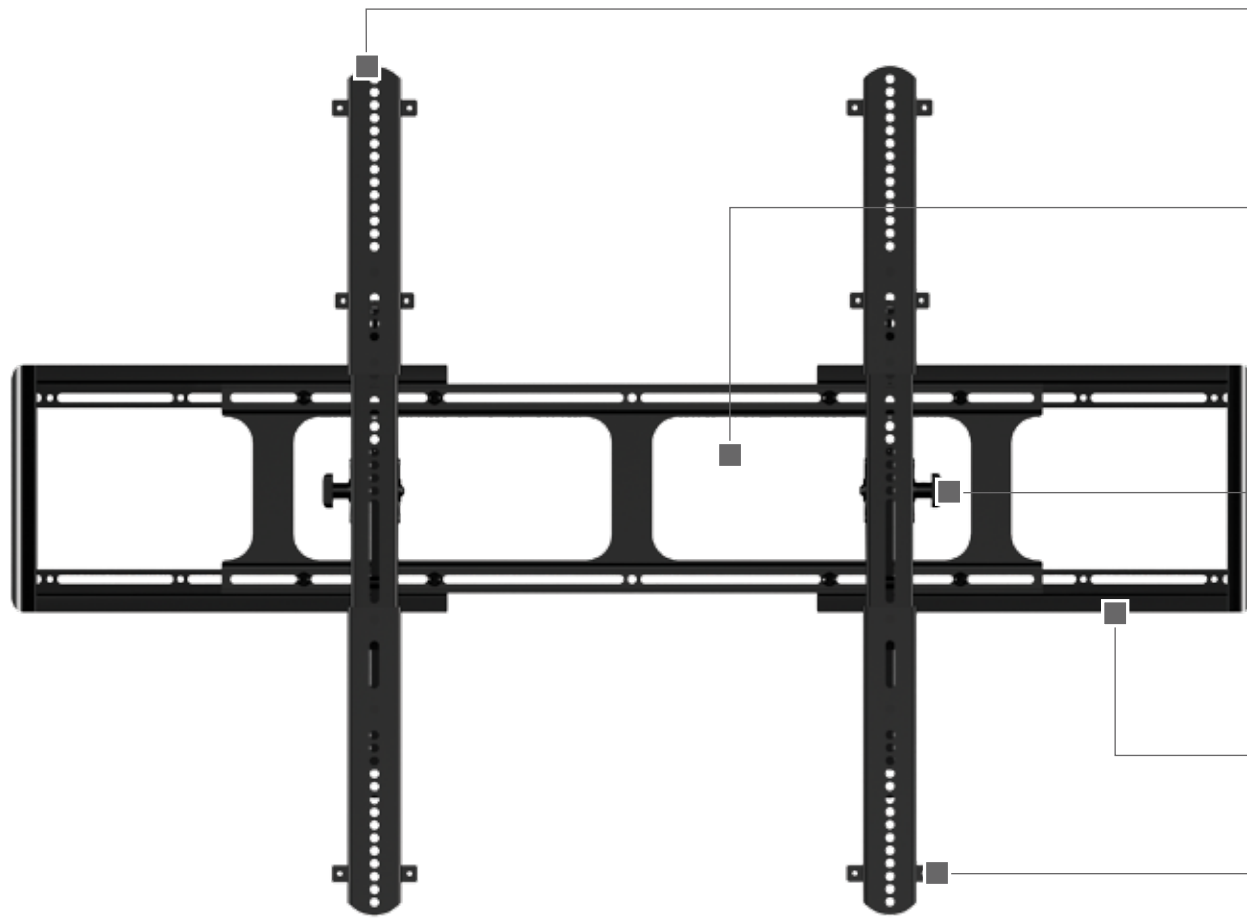


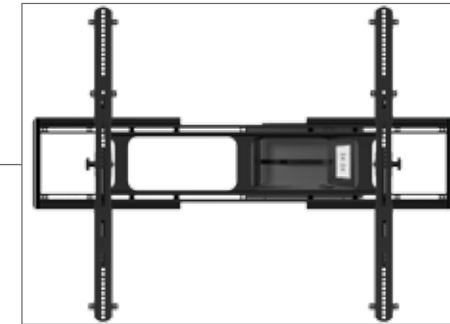
**SANUS**

# BLACK SERIES

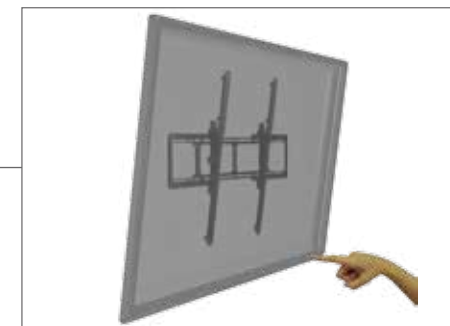
## CIXT1 – EXTRA LARGE TILTING MOUNT



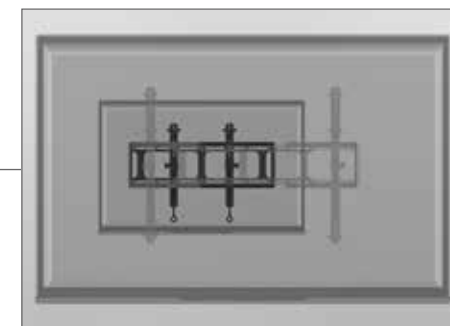
New ProSet Plus™ post install height and level adjustments allow for up to one full inch of height and level adjustment



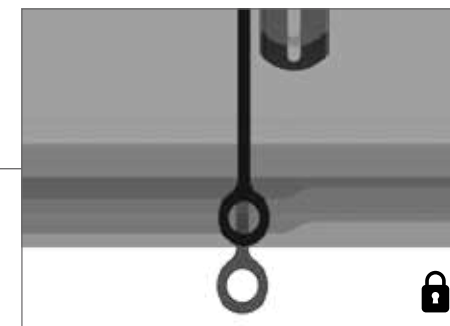
Open wall plate design allows mounting directly over most wall boxes and electrical outlets



Virtual Axis™ Fingertip tilt allows for easy TV adjustments and quick access to cables



CIXT1 comes with extender brackets that easily attach to accommodate large hole patterns. Brackets are also compatible with CILT1 and CILL1



High quality Quick-Release tabs instantly unlock the TV from the wall plate and adjust to line up with the bottom of the TV. Optional padlock prevents Quick-Release tabs from releasing

**MOUNTING PATTERNS - VESA**

Min: 200 x 200 | Max: 1100 x 800

**WEIGHT CAPACITY**

250 lbs

**DEPTH**

2.5"

**SUGGESTED TV SIZE RANGE**

40"-105"

**TILTS**

+7/-10

**PRODUCT DIMENSIONS**

(w x h x d)

33.43"– 52.93" x 32.49" x 2.5"

**PACKAGE DIMENSIONS**

(w x d x h)

36.42" x 10.67" x 3.15"

**PACKAGE WEIGHT**

20.9 lbs

**MASTER PACK QUANTITY**

2

**MASTER PACKAGE DIMENSIONS (w x d x h)**

37.44" x 11.63" x 7.63"

**MASTER PACKAGE WEIGHT**

45.1 lbs

**COMPATIBLE WITH UP TO 2 CIASP1**

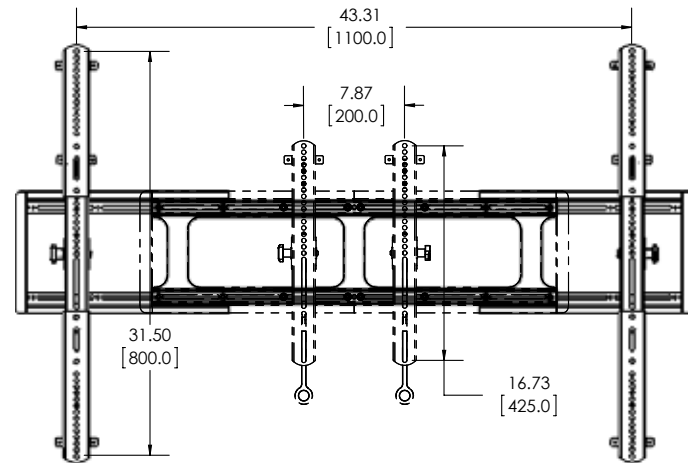
\*Each CIASP1 holds 1 device

**SANUS**

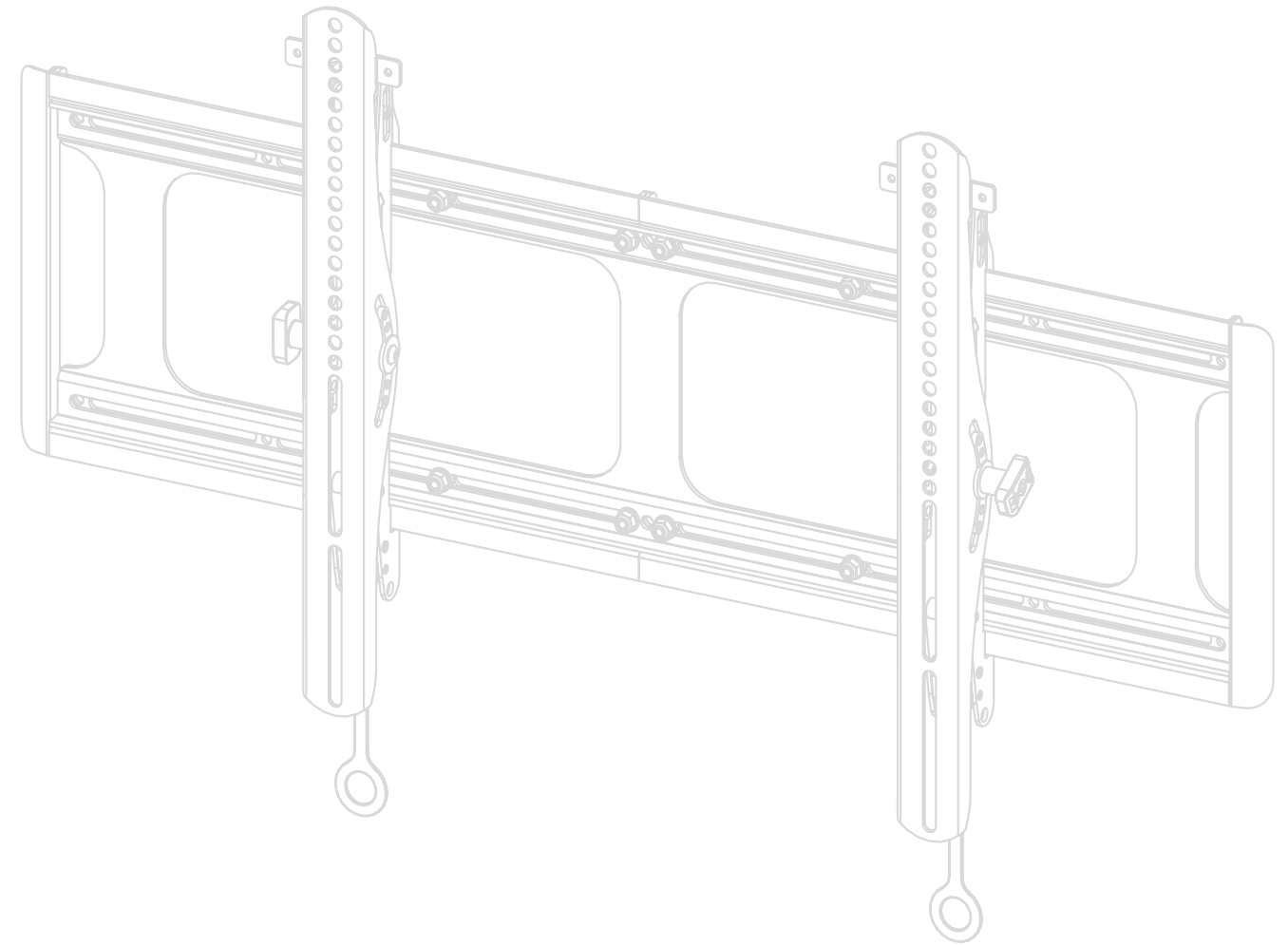
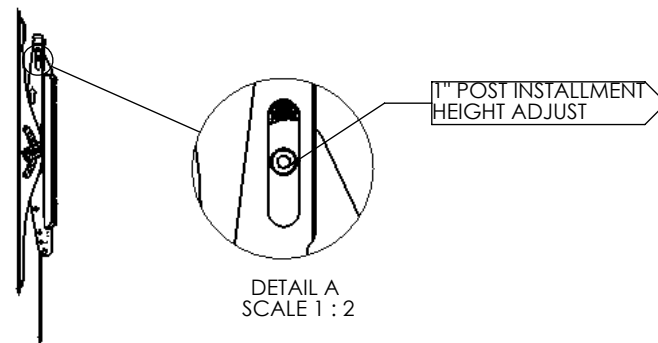
# BLACK SERIES

## CIXT1 – EXTRA LARGE TILTING MOUNT

### TV INTERFACE - VESA



### SIDE VIEW - HEIGHT ADJUSTMENT



#### MOUNTING PATTERNS - VESA

Min: 200 x 200 | Max: 1100 x 800

#### WEIGHT CAPACITY

250 lbs

#### SUGGESTED TV SIZE RANGE

40"-105"

#### PRODUCT DIMENSIONS

(w x h x d)

33.43" - 52.93" x 32.49" x 2.5"

#### MASTER PACK QUANTITY

2

#### MASTER PACKAGE

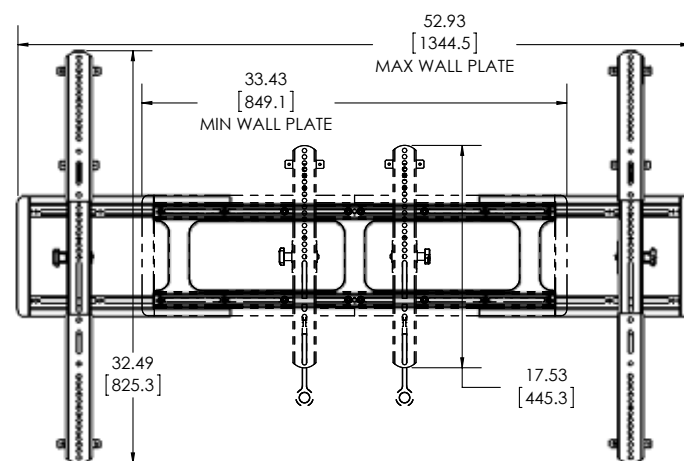
DIMENSIONS (w x d x h)

37.44" x 11.63" x 7.63"

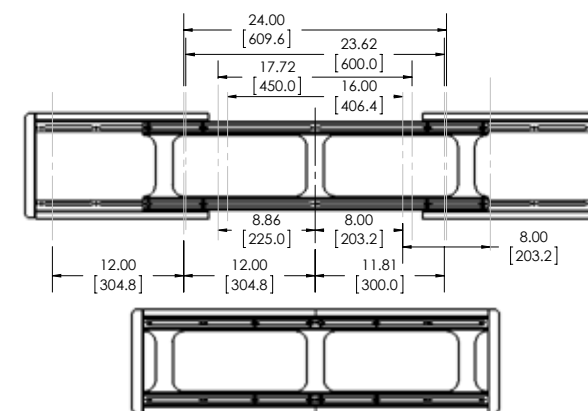
#### MASTER PACKAGE WEIGHT

45.1 lbs

### FRONT VIEW



### WALL PLATE



### WALL PLATE OPENING

