

# Input-Output Module



The Input-Output Module is an ultra-compact DIN rail mounted unit with connections for up to eight Configurable Inputs or Outputs and an M-BUS network.

Each of the eight channels are selectable as Inputs or Outputs. Inputs can be selected as 0/1-10V, DSI or switched contact inputs and Outputs can be selected as 0/1-10V or DSI to SELV (Safety extra Low Voltage) equipment.

The Input-Output Module can be used in standalone mode where it can be set-up directly via the on-board keypad and display driven menu system without the need for a PC.

As part of a wider networked solution, Input-Output Modules can be configured to operate as part of an EcoControls fully addressable lighting management system.

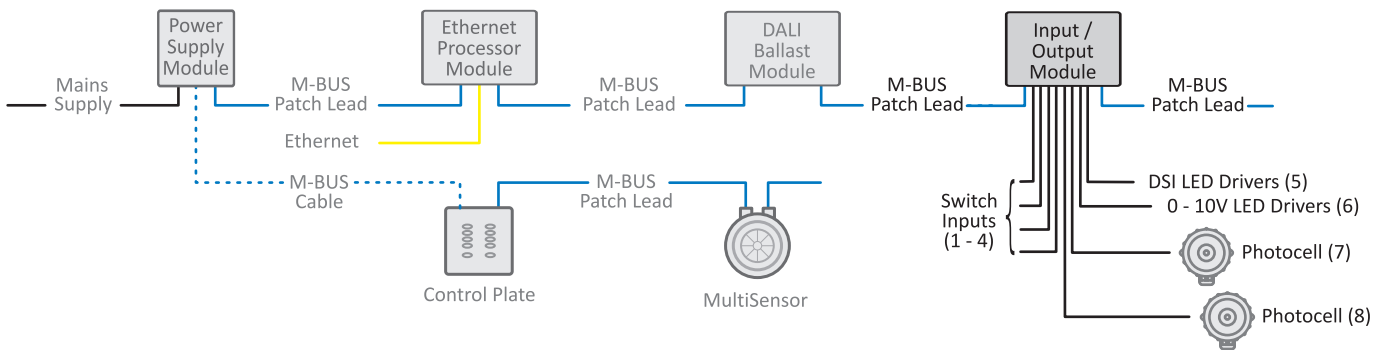
## Key Features

- » Eight configurable channels selectable to Inputs or Outputs
- » Inputs can be selected to accept 0-10V, 1-10V, DSI or switched contacts
- » Outputs can be selected to provide 0-10V, 1-10V or DSI dimming control to SELV equipment such as LED Drivers
- » Volt-free Contact Interface with other building control systems
- » Intelligent standalone feature providing multiple operating modes programmed from the menu driven display and keypad i.e. Scene Recall, Impulse, Dimming and Protocol Converter
- » M-BUS to a range of field based Control Devices such as MultiSensors, Switch Input Units, LCD and Multi-button Control Plates, Blind Controllers and RS-232 Audio Visual Interface
- » LED Status Indication of field connected control wiring and devices
- » Installer pre-commissioning testing via the on-board keypad and display
- » Non-volatile memory
- » The modules provide a flexible solution for bespoke panel design to suit any application and installation constraints
- » 2 year warranty

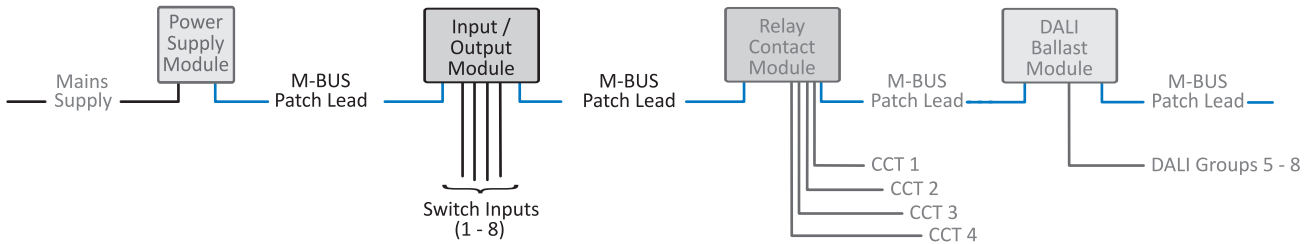


## System Architecture

### Networked



### Standalone



## Technical Data

Power	
Power In	<ul style="list-style-type: none"> <li>» 24V DC from M-BUS</li> <li>» Locally isolated via an unswitched fused spur 3 A maximum</li> </ul>
Connections & Cable Specifications	
M-BUS	(1qty) <ul style="list-style-type: none"> <li>» 24V DC M-BUS devices</li> <li>» Fast, flexible installation using M-BUS Patch Leads</li> <li>» Safety Extra Low Voltage (SELV)</li> <li>» 50mA draw from M-BUS</li> </ul>
Configurable I/O	(4qty) (Input/Output) <ul style="list-style-type: none"> <li>» Input: Volt-free contact                             <ul style="list-style-type: none"> <li>: 0/1 - 10V</li> <li>: DSI</li> </ul> </li> <li>» Output: 0/1 - 10V (typically 25 ballast)                             <ul style="list-style-type: none"> <li>: DSI (typically 25 ballast)</li> </ul> </li> </ul>
Mechanical & Standards	
Material	» Extruded aluminium case
Dimension	» 56mm Wide x 100mm High x 64mm Deep
Weight	» 0.35Kg
Module size for DIN enclosure	» 6 Module (6M)

