

# Universal Ballast Module



The Digital Addressable Lighting Interface (DALI) Ballast Module is an ultra-compact DIN rail mounted unit with connections for a DALI Universe, configurable inputs-outputs and an M-BUS network.

Using DALI, you can connect up to 64 luminaires through a single power and data connection whilst retaining individual control. This is complimented with four additional channels of configurable I/O.

The DALI Ballast Module can be used in standalone mode where it can be set-up directly via the on-board keypad and display driven menu system and the intelligent DALI setup assistant without the need for a PC.

As part of a wider networked solution, DALI Ballast Modules can be configured to operate as part of an EcoControls fully addressable lighting management system.

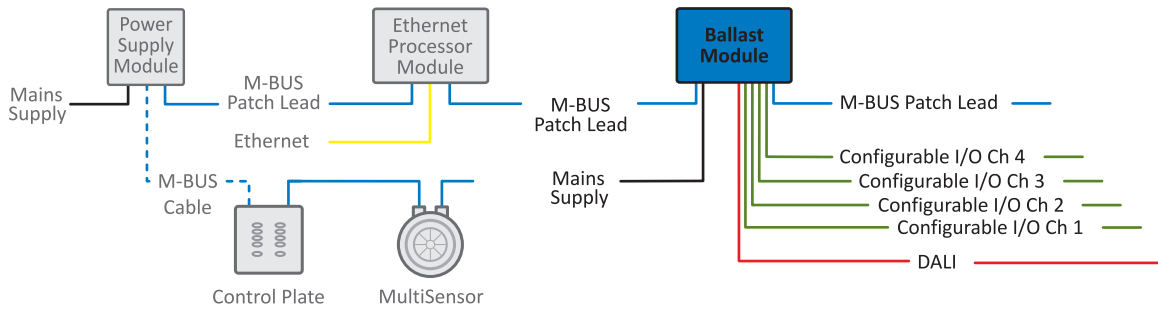
## Key Features

- » Integral 250 mA DALI standard PSU.
- » DALI short circuit and overload protection.
- » M-BUS to a range of field based Control Devices such as MultiSensors, Switch Input Units, LCD and Multi-button Control Plates, Blind Controllers and RS-232 Audio Visual Interface.
- » Intelligent standalone mode providing DALI Group control and four channels of configurable I/O programmed from the menu driven display and keypad.
- » Configurable I/O provides connections for Scene Recall Switches, Impulse Switches, 0/1-10V and DSI lighting circuits.
- » LED Status Indication for field connected control wiring and devices.
- » Installer pre-commission testing via the on-board keypad and display.
- » Non-volatile flash memory.
- » The modules provide a flexible solution for bespoke panel design to suit any application and installation constraints.
- » 2 year warranty.

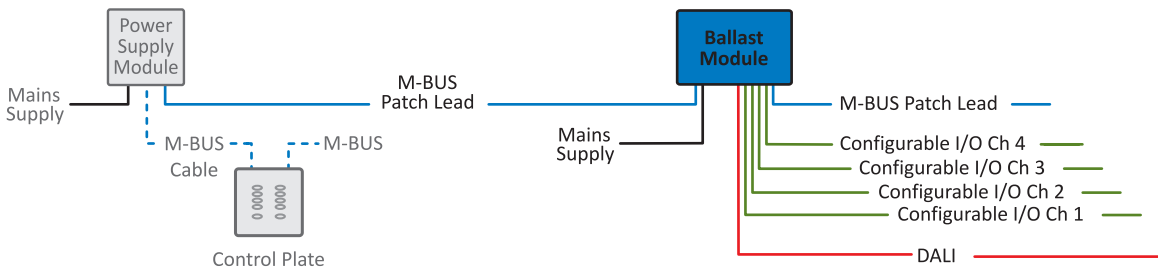


## System Architecture

### Networked



### Standalone



## Technical Data

Power		
Mains Supply		<ul style="list-style-type: none"> <li>» 90-264V AC 50 / 60 Hz single phase</li> <li>» Locally isolated via an unswitched fused spur 3 A maximum</li> <li>» No current draw from M-BUS</li> </ul>
Connections & Cable Specifications		
M-BUS	(1qty)	<ul style="list-style-type: none"> <li>» 24V DC for M-BUS devices</li> <li>» Fast, flexible installation using M-BUS Patch Leads</li> <li>» Safety Extra Low Voltage (SELV)</li> </ul>
DALI	(1qty)	<ul style="list-style-type: none"> <li>» Integral 250 mA DALI standard PSU</li> <li>» Short circuit and overload protection</li> </ul>
Configurable I/O (Input/Output)	(4qty)	<ul style="list-style-type: none"> <li>» Input: Volt-free contact                             <ul style="list-style-type: none"> <li>: 0/1 - 10V</li> <li>: DSI</li> </ul> </li> <li>» Output: 0/1 - 10V (typically 25 ballast)                             <ul style="list-style-type: none"> <li>: DSI (typically 25 ballast)</li> </ul> </li> </ul>
Mechanical & Standards		
Material		» Extruded aluminium case
Dimension		» 104mm Wide x 100mm High x 64mm Deep
Weight		» 0.35Kg
Module size for DIN enclosure		» 6 Module (6M)

**Note**

For additional technical information refer to Installation Guide DIN-UBC-01-05-PLUS.

